

**6-Channel Electronic Volume Controller IC****PT2258**

## DESCRIPTION

PT2258 is a 6-Channel Electronic Volume Controller IC utilizing CMOS Technology specially designed for the new generation of AV Multi-Channel Audio System. PT2258 provides an I2C Control Interface, an attenuation range of 0 to -79 dB at 1 dB/step, low noise, high channel separation. Housed in 20-pin, DIP or SO Package, PT2258's pin assignments and application circuit are optimized for easy PCB Layout and cost saving advantages.

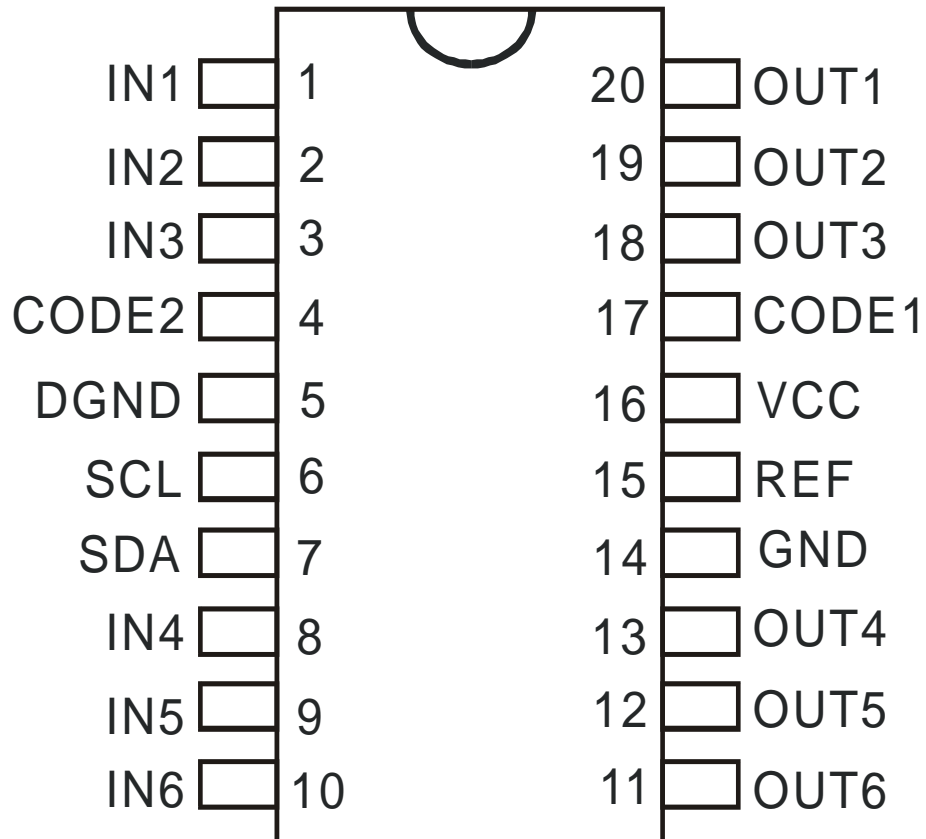
## FEATURES

- CMOS Technology
- Low Power Consumption
- Least External Components
- Attenuation Range: 0 to -79 dB at 1dB/step
- Operating Voltage: 5 to 9 V
- Low Noise, S/N Ratio>100dB (A-weighting)
- High Channel Separation
- I2C Bus Control Interface
- Selectable Address
- 6-Channel Outputs
- Available in 20-pin, DIP or SO Package

## APPLICATIONS

- AV Surround Audio Equipment
- Car Audio
- Mini Compo
- Computer Multi-Media Speaker
- Other Audio Equipments

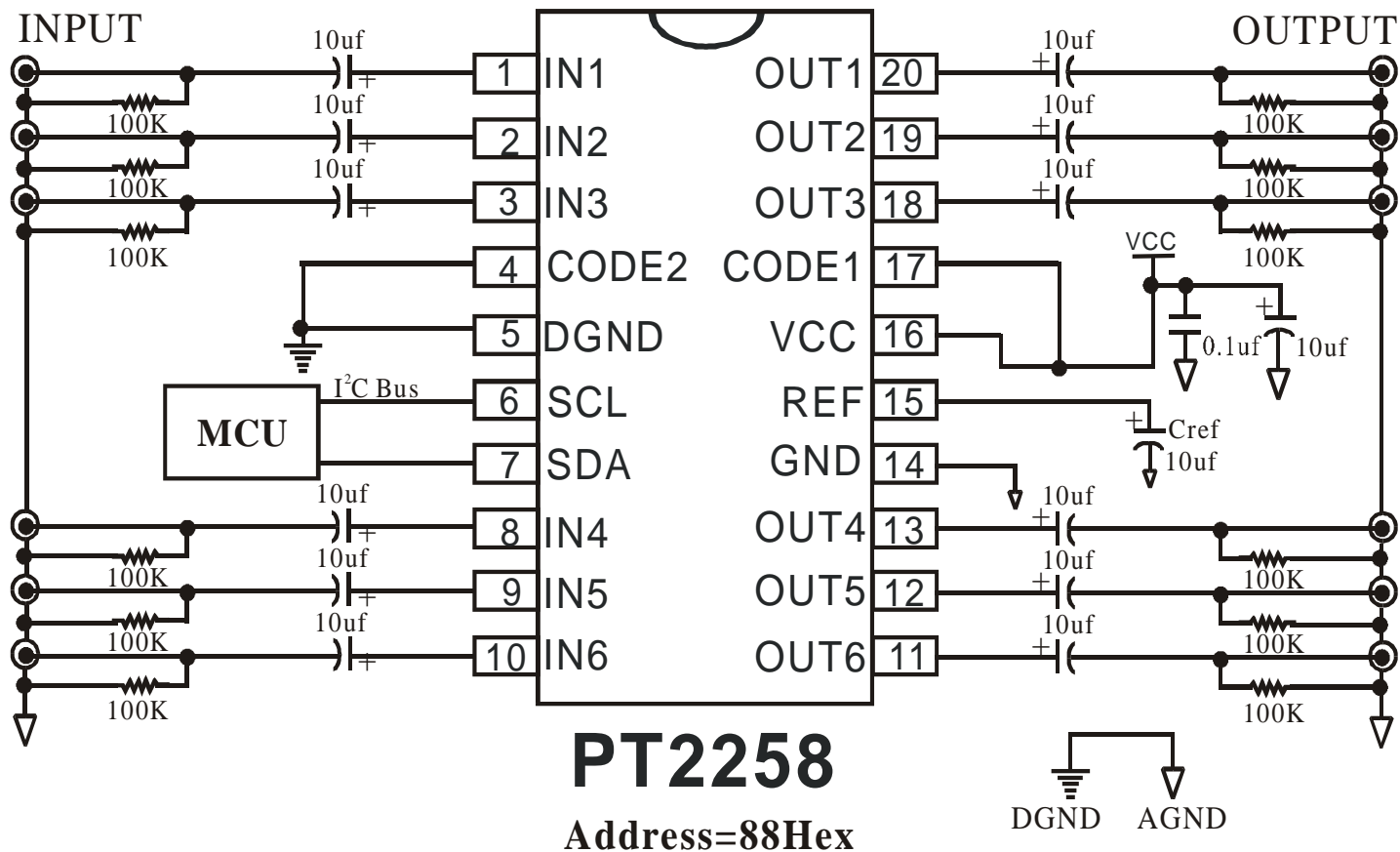
## PIN CONFIGURATION



# PT2258

**6-Channel Electronic Volume Controller IC** **PT2258**

**APPLICATION CIRCUIT**



**ORDER INFORMATION**

Valid Part Number	Package Type
PT2258	20 Pins, DIP Package (300 mil)
PT2258-S	20 Pins, SO Package (300 mil)